

00	00	00	00	00
DATE	C.A.D.	CHK'D	ISSUE	DETAILS



Drawn	C.J.G.	19/11/10
Checked	J.J.G.	19/11/10
Approved	C.J.G.	

Project  
RADICAL SR8 NOV10 ON

Project Phase  
PRODUCTION

Progress Date  
19-Nov-10

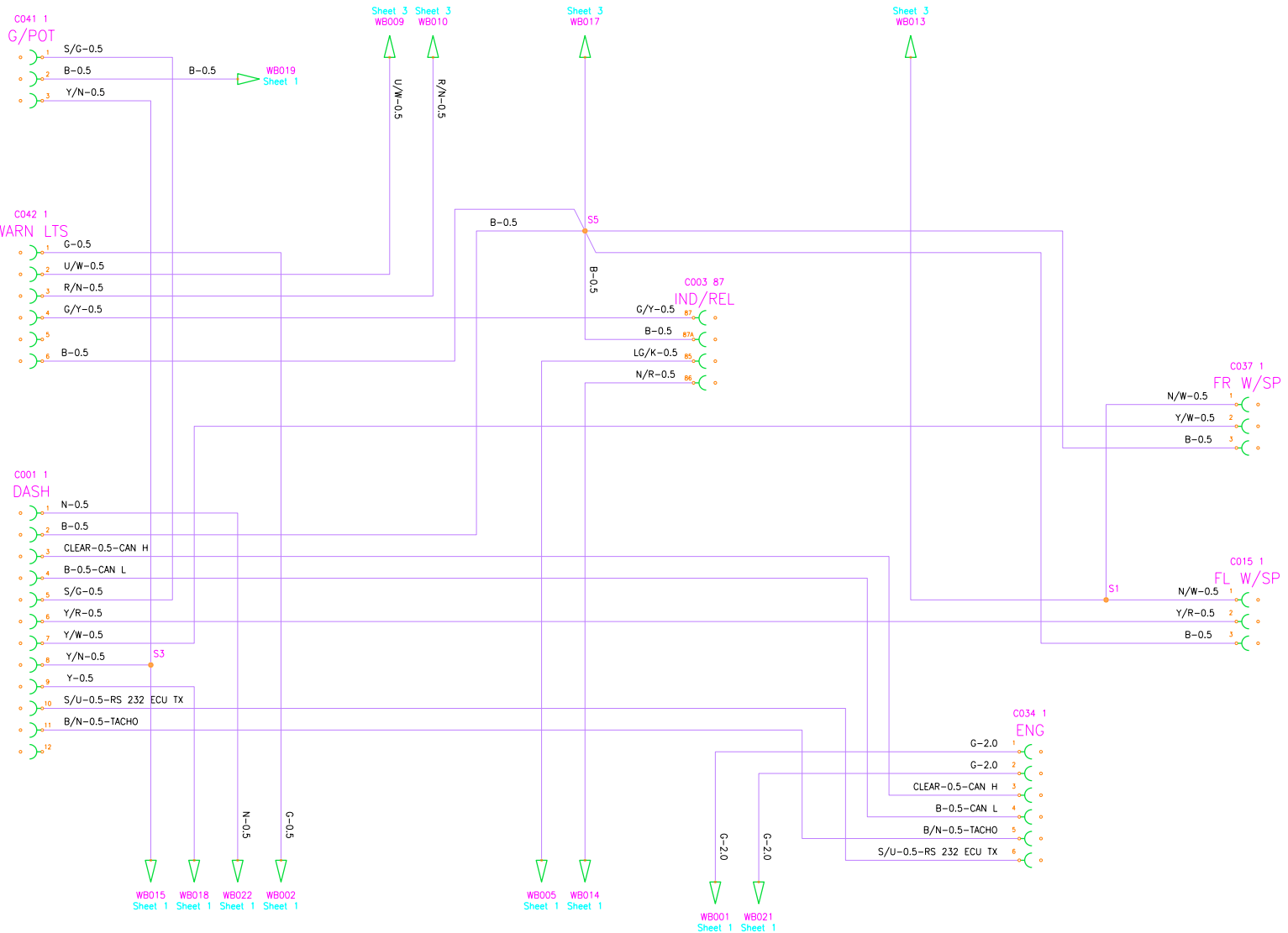
REVISION HISTORY				
Customer	RADICAL			

Schematic Title  
CHASSIS LOOM SR 8

Part No. Issue  
011594 — 01

SHEET SHEETS  
1 OF 4

SHEET SHEETS 1 OF 4 Part No. Issue 011594 01 Schematic Title CHASSIS LOOM SR 8



00	00	00	00	00
----	----	----	----	----



Drawn	C.J.G.	19/11/10
Checked	J.J.G.	19/11/10
Approved	C.J.G.	

Project	RADICAL SR8 NOV10 ON	Project Phase	PRODUCTION	Progress Date	19-Nov-10
Schematic Title	CHASSIS LOOM SR 8	Part No.	011594 — 01	SHEET	SHEETS
				2	OF 4

DATE	C.A.D.	CHK'D	ISSUE	DETAILS	Customer
REVISION HISTORY					RADICAL

SHEET 4 SHEETS 4 Part No. 014EC4 Issue 04 Schematic Title CHASSIS LOOM SR 8

C027 1  
R/LIGHTS

- 1 R/B-0.5
- 2 R/N-0.5
- 3 G/P-0.5
- 4 G/R-0.5
- 5 G/W-0.5
- 6 B-0.5
- 7 B-0.5
- 8 B-0.5
- 9 B-0.5
- 10 B-0.5

C019 1  
FR/LIGHTS

- 1 R/B-0.5
- 2 R/B-0.5
- 3 U/R-0.5
- 4 U/R-0.5
- 5 U/W-0.5
- 6 U/W-0.5
- 7 G/R-0.5 S6
- 8 G/W-0.5 S7
- 9 B-0.5
- 10 B-0.5
- 11 B-0.5
- 12 B-0.5

C031A 1  
BR/SW

N/Y-0.5

C031B 1

G/P-0.5

C012C 1  
H/L1

R/B-0.5

R/B-0.5

R/B-0.5

C012D 1  
H/L2

U/R-0.5

U/R-0.5

C012E 1  
FOG/SW

R/N-0.5

R/N-0.5

N/Y-0.5 S2

C030 1  
GND

B-0.5

B-1.0

B-0.5

B-1.0

C016 1  
12V

N-0.5

B-0.5

C017 1  
12V

N-0.5

B-0.5

C022 1  
12V

N-1.0

B-1.0

C010C 1

B-0.5

C012B 1  
M/BEAM

U/W-0.5

U/W-0.5

U/W-0.5

C012B 1  
M/BEAM

N/R-0.5

N-0.5

N-1.0

N-1.0

N-1.0

N-1.0

N-1.0

N-1.0

N-1.0

N-1.0

N-1.0

N-1.0

N-1.0

N-1.0

N-1.0

N-1.0

N-1.0

N-1.0

N-1.0

N-1.0

N-1.0

N-1.0

N-1.0

N-1.0

N-1.0

N-1.0

N-1.0

N-1.0

N-1.0

N-1.0

N-1.0

N-1.0

WB016  
Sheet 1

WB017  
Sheet 2

WB008  
Sheet 1

WB007  
Sheet 1

WB009  
Sheet 2

WB010  
Sheet 2

WB006  
Sheet 1

WB013  
Sheet 2

WB011  
Sheet 1

00	00	00	00	00
----	----	----	----	----



DATE	C.A.D.	CHK'D	ISSUE	DETAILS
REVISION HISTORY				

Customer  
RADICAL

Drawn	C.J.G.	19/11/10
Checked	J.J.G.	19/11/10
Approved	C.J.G.	

Project	RADICAL SR8 NOV10 ON
Schematic Title	CHASSIS LOOM SR 8

Project Phase	PRODUCTION
Part No.	011594 — 01

Progress Date	19-Nov-10
SHEET	3
SHEETS	OF 4

SHEET SHEETS 7 OF 4 Part No. Issue 011594 01 Schematic Title CHASSIS LOOM SR 8

## COLOUR REFERENCE

B = BLACK  
 G = GREEN  
 K = PINK  
 LG = LIGHT GREEN  
 N = BROWN  
 P = PURPLE  
 O = ORANGE  
 S = SLATE (GREY)  
 R = RED  
 U = BLUE  
 W = WHITE  
 Y = YELLOW

COLOUR / COLOUR FIRST COLOUR SIGNIFYS  
 PRIMARY, SECOND STRIPE  
 IE R/B = RED WITH BLACK TRACE

SIZE SHOWN IS CROSS SECTIONAL AREA IN  
 mm's

011594-01 SUPERCEDES 011254-0A  
 COMP 29 WATER PUMP / FUEL PUMP  
 WIRING AND SWITCH REMOVED.  
 BUILD FROM NOV 2010 ON  
 USE IN CONJUNCTION WITH  
 011581-01 LH0212 GEARSHIFT LOOM

00	00	00	00	00



DATE	C.A.D.	CHK'D	ISSUE	DETAILS
<b>REVISION HISTORY</b>				

Customer
RADICAL

Drawn	C.J.G.	19/11/10
Checked	J.J.G.	19/11/10
Approved	C.J.G.	

Project	Project Phase	Progress Date
RADICAL SR8 NOV10 ON	PRODUCTION	19-Nov-10
Schematic Title	Part No.	Issue
CHASSIS LOOM SR 8	011594 — 01	
		SHEET SHEETS
		4 OF 4

SHEET SHEETS 4 OF 4  
 Part No. 011594  
 Issue 01  
 Schematic Title CHASSIS LOOM SR 8